



# ROBATA FLAME GRILL™

*The most innovative grill on the market.*

- *Instant gas-fired cooking.*
- *Even heat distribution system.*
- *Can be used with charcoal or lump wood for extra aroma.*
- *3 tier cooking for searing, cooking and resting.*
- *Freestanding, countersunk and table-mounted versions.*
- *Custom made to your specifications.*
- *Designed for easy maintenance and cleaning.*
- *Natural gas, LPG or pure solid fuel.*



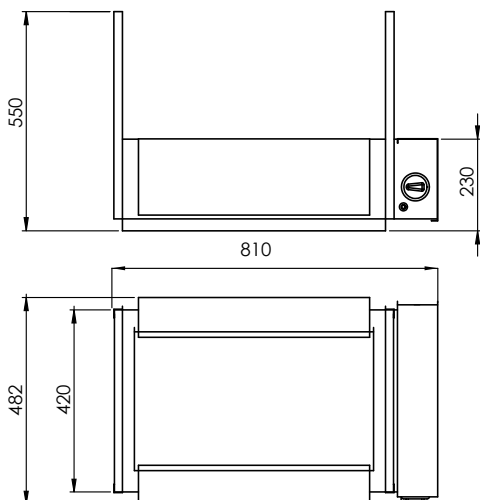
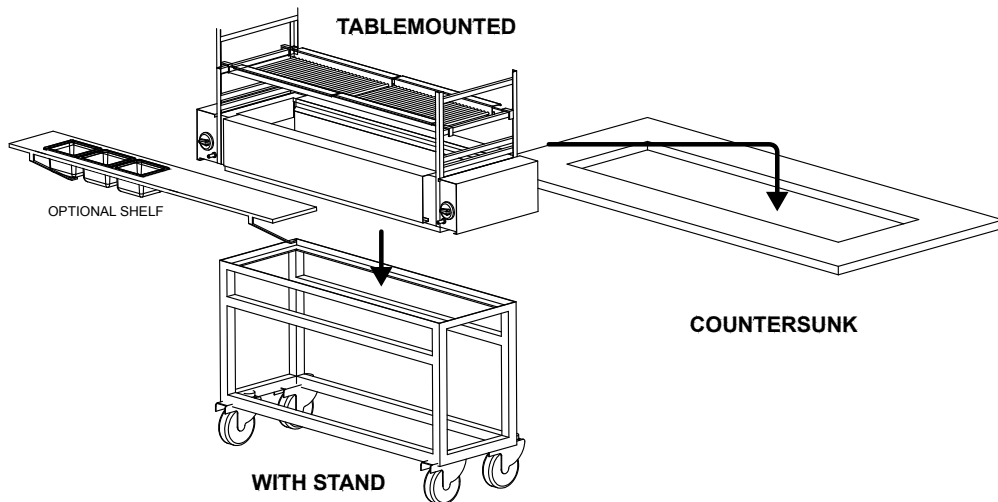
**The Clay Oven Co. Ltd.**

163 Dukes Road, London W3 0SL

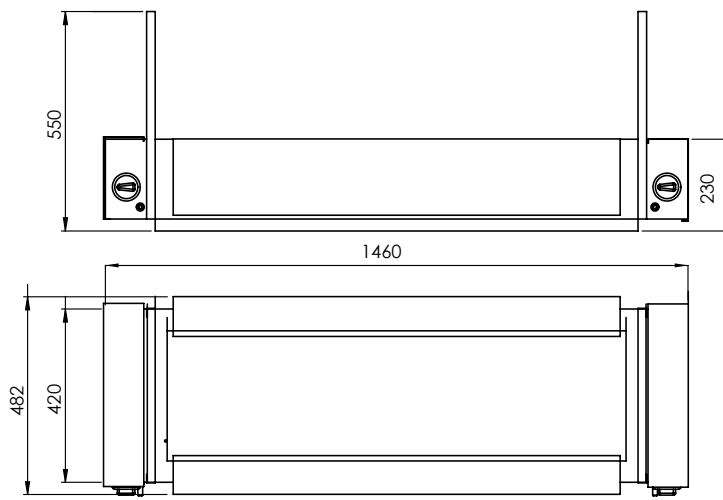
Tel: +44 (0) 208 896 2696 Fax: +44 (0) 208 896 2686

[www.clayovens.com](http://www.clayovens.com)





**STANDARD**



**LARGE**



## TECHNICAL DATA

### Heat Output:

#### Single Unit

High Setting 26.5kw / 86,000 Btu (net)

Low Setting 10.4kw / 33,000 Btu (net)

Gas Supply Pressure 20mbar / 7inch

Gas rate 2.75m<sup>3</sup> / hr

### Installation Requirements:

Recommended to install under vented hood.

### Please Note:

Continuous product improvement is a policy of the Clay Oven Co. Ltd. therefore specification and design are subject to change without notice.



**The Clay Oven Co. Ltd.**

163 Dukes Road, London W3 OSL

Tel: +44 (0) 208 896 2696 Fax: +44 (0) 208 896 2686

[www.clayovens.com](http://www.clayovens.com)